



for schools, restaurants
and staff canteens

Flexikart

Servery Solutions



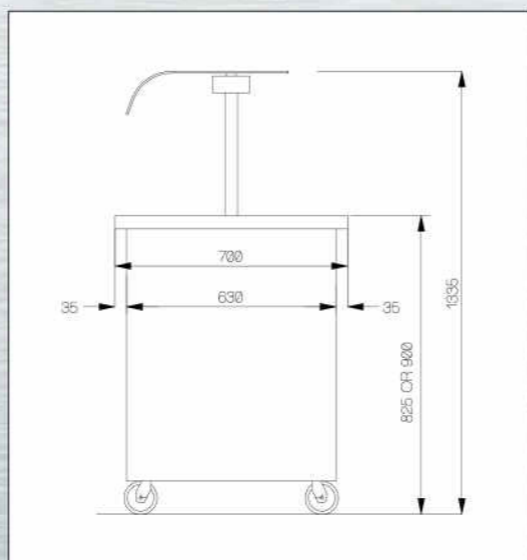
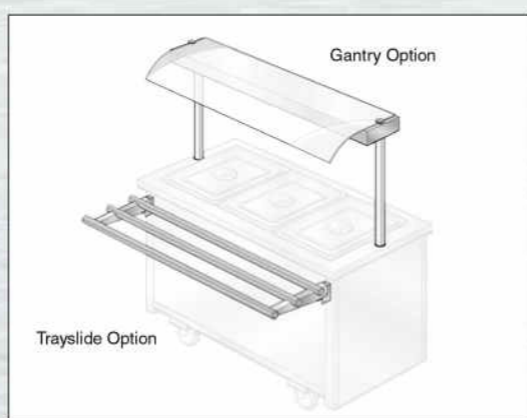
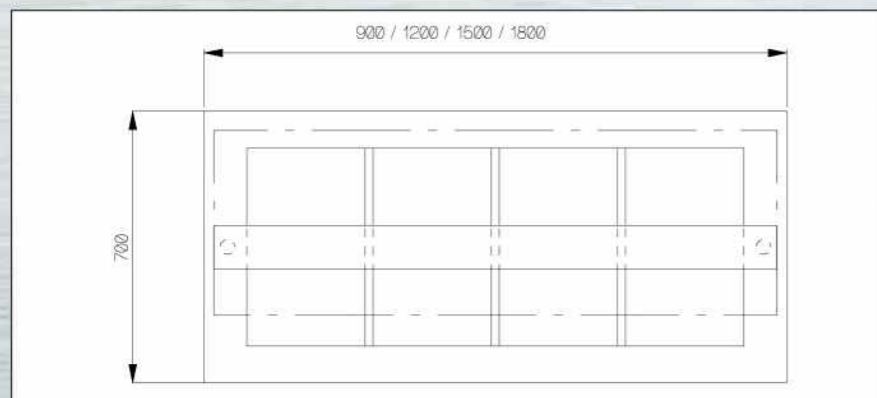
the British choice

Model	Bain Maries				Glass Hot tops			Carvery Unit
	FKBM90	FKBM120	FKBM150	FKBM180	FKHT120	FKHT150	FKHT180	FKKARVE
Length (mm)	900	1200	1500	1800	1200	1500	1800	1500
Height incl.gantry (mm)	1335	1335	1335	1335	1335	1335	1335	1335
Total power (kW)	1.8	1.8	1.9	2	2.2	2.5	2.6	2.5
Total power incl gantry(kW)	2.2	2.2	2.3	2.4	2.6	2.9	3.0	2.9
Pan Capacity 1/1 Gn	2	3	4	5	-	-	-	-
Glass Hot tops	-	-	-	-	2 (500 x 400)	3 (500 x 400)	3 (500 x 500)	-
Fan assisted hotcupboard	Yes	Yes	Yes	Yes	Yes	Yes	Yes	Yes
Low height units-add suffix LOW	Yes	Yes	Yes	Yes	Yes	Yes	Yes	Yes

Model	Plain top Hotcupboards				Ambient cupboards			
	FKHC90	FKHC120	FKHC150	FKHC180	FKAC90/AO90	FKAC120/AO120	FKAC150/AO150	FKAC180/AO180
Length (mm)	900	1200	1500	1800	900	1200	1500	1800
Height incl.gantry (mm)	1335	1335	1335	1335	1335	1335	1335	1335
Total power (kW)	1.5	1.5	1.5	1.5	-	-	-	-
Total power incl gantry(kW)	1.9	1.9	1.9	1.9	0.4	0.4	0.4	0.4
Fan assisted hotcupboard	Yes	Yes	Yes	Yes	-	-	-	-
Low height units-add suffix LOW	Yes	Yes	Yes	Yes	Yes	Yes	Yes	Yes

Model	Cashier units-left and right	Corner Unit	Clearing unit	
	FKKASH-L	FKKASH-R	FKKORNER	FKKLEAR
Length (mm)	1200	1200	1380	1700
Cash drawer-lockable	Yes	Yes	-	-
Double electric socket	Yes	Yes	-	-
Low height units-add suffix LOW	Yes	Yes	Yes	Yes

Optional extras	900 mm long	1200 mm long	1500 mm long	1800 mm long
Drop down tubular tray slide	FKTS90	FKTS120	FKTS150	FKTS180
Heated Gantry with glass screen	FKHG90	FKHG120	FKHG150	FKHG180
Fluorescent Gantry with glass screen	FKFG90	FKFG120	FKFG150	FKFG180



General Specification - Add suffix 'LOW' for low height units
 Standard units are **900 mm high** Low units are **825 mm high**
 Hotcupboards under with sectionalised shelves for ease of cleaning, enclosed by two sliding doors
 Hotcupboard units have fan assisted heating and control by thermostat
 Bain Marie section accepts GN containers - max 150mm deep
 Toughened glass hot tops controlled by Simmerstat and separately switched
 Mobile with 100 dia non marking swivel castors, 2 off lockable
 Stainless steel construction
 Colour finishes on request

Distributed by:

Our policy is one of continuous product development and we reserve the right to change size and specification at any time and without notice. 03.2015

Corsair Engineering Ltd.
 Beaumont Close
 Beaumont Ind Est
 Banbury, Oxon OX16 1SH
 Telephone: 01295 267021
 E: info@corsairengineering.co.uk
 W: www.corsairengineering.co.uk



Flexikart

Servery Solutions
 for schools, restaurants and staff canteens
2016 Price Guide



Over 50 years of great British manufacturing



Flexikart - Models

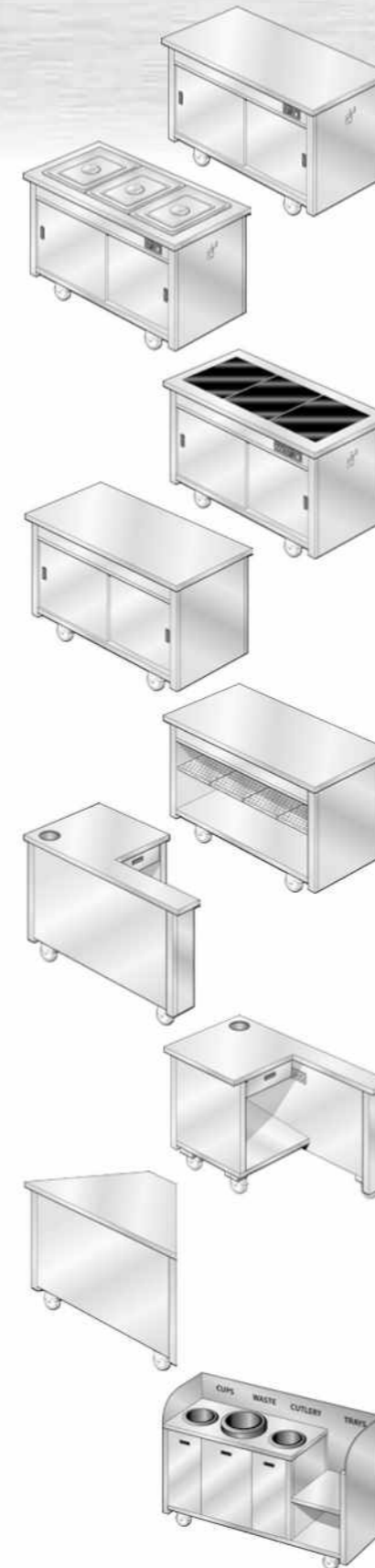
	900	1200	1500	1800
PLAIN TOP	FKHC090 £1092	FKHC120 £1218	FKHC150 £1355	FKHC180 £1522
BAIN MARIE HOT CUPBOARD - DRY HEAT	FKBM090 £1152	FKBM120 £1301	FKBM150 £1444	FKBM180 £1580
GLASS TOP HOT CUPBOARD - DRY HEAT	FKHT090 £1285	FKHT120 £1494	FKHT150 £1713	FKHT180 £1920
AMBIENT UNIT - DOORS UNDER	FKAC090 £726	FKAC120 £788	FKAC150 £908	FKAC180 £1017
AMBIENT UNIT - OPEN UNDER See Note *	FKAO090 £706	FKAO120 £763	FKAO150 £878	FKAO180 £982
FLEXIKASH - LEFT HAND		FKKASH-L 1200mm x 700mm x 900mm h £806		
FLEXIKASH - RIGHT HAND		FKKASH-R 1200mm x 700mm x 900mm h £806		
FLEXIKORNER UNIT	FKKORNER 1380mm x 500mm x 900mm h Internal and External £559			
FLEXIKLEAR	£1305	FKKLEAR 1700mm x 550mm x 900mm h Overall Height 1060mm		
FLEXIKARVE CARVERY UNIT		FKKARVE 1500mm x 700mm x 900mm h POA		

Low height models available for all units 825mm h

Note* Short infill sizes on request



the British choice



Main Accessories

DROP DOWN TRAY SLIDE **HOT GANTRY** **LIT GANTRY**

900mm	£94	£331	£331
1200mm	£106	£393	£393
1500mm	£115	£409	£409
1800mm	£129	£568	£568

Separation System for Bain Marie Units - ensure heat retention with hot cupboard

900mm	£90
1200mm	£95
1500mm	£97
1800mm	£99

